

HB-5000 HINGED DOOR, SINGLE / HB-5000DD HINGED DOOR, DOUBLE

**A door for the roughest environments.
Door leaf with reinforcements.**

Door leaf:

Reinforcement plates for hinges, door closer and panic device are provided and welded on the inside of the door leaf.

Door frame:

The profile of the frame is L-shaped mild or stainless steel with adjustable frame for gasket. The door frame is delivered suitable for bolting or welding.

Hinges:

The bottom part of the hinges is welded to the frame and the top part is screwed to the door leaf with 3 screws on each hinge. The hinges are provided with stainless steel washers between the top and bottom parts to reduce friction.

Special product customization:

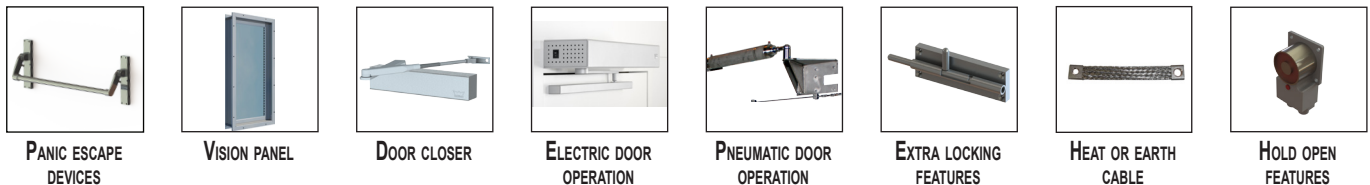
In addition to our basic HB-5000 solutions, Baggerød can on a project basis make customization to the door according to your needs and demands.



Panic Bar



OPTIONS:



Description	HB-5000	HB-5000DD (double)
Fire Class	A-60	A-60
Door leaf	2 mm (alt. 3 mm) painted mild steel or stainless steel	2 mm (alt. 3 mm) painted mild steel or stainless steel
Frame	3 mm (alt. 4 or 5 mm) L-shaped painted steel or stainless steel	3 mm (alt. 4 or 5 mm) L-shaped painted steel or stainless steel
Thickness of door leaf	64 mm	64 mm
Hinges	3ea special design stainl. steel with grease nipples	3ea special design stainl. steel with grease nipples
Gasket	Adjustable (Vulced gasket=option)	Adjustable (Vulced gasket=option)
Core material	A-60 ceramic fibre	A-60 ceramic fibre
Weight (800x2000 mm)	120 kg	
Sound reduction	RW = 44 dB	RW = 44 dB (with gasket) <i>(Based on test of single door)</i>
Air and gas tightness	0.4 m3/hm2 at 50 Pa	0.4 m3/hm2 at 50 Pa <i>(Based on test of single door)</i>
Water column from hinge side	2 m without reinforcement 4.5 m with reinforcement	
Application	Internal/External A-doors	Internal/external

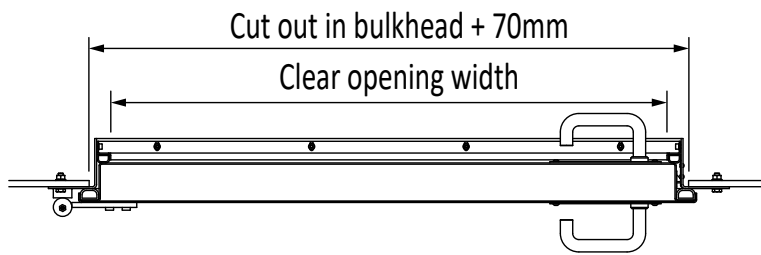
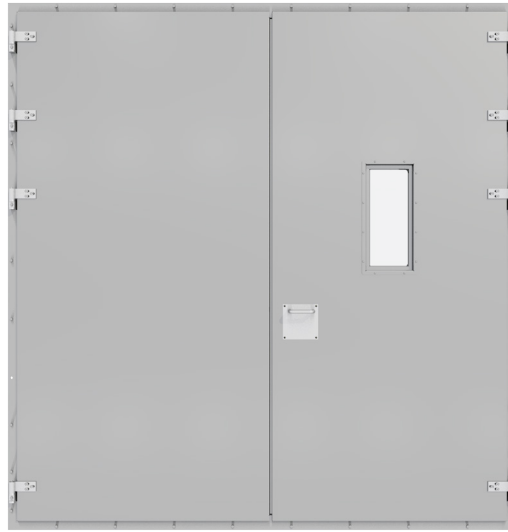
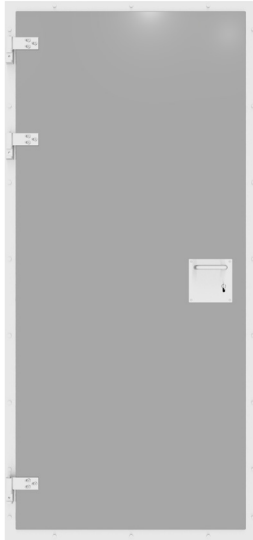
23.05.17

With reservation for errors and with rigths to make technical changes.
Dimensions as guidelines only! For project specific information, always refer to project drawings and not the dimensions in this manual.



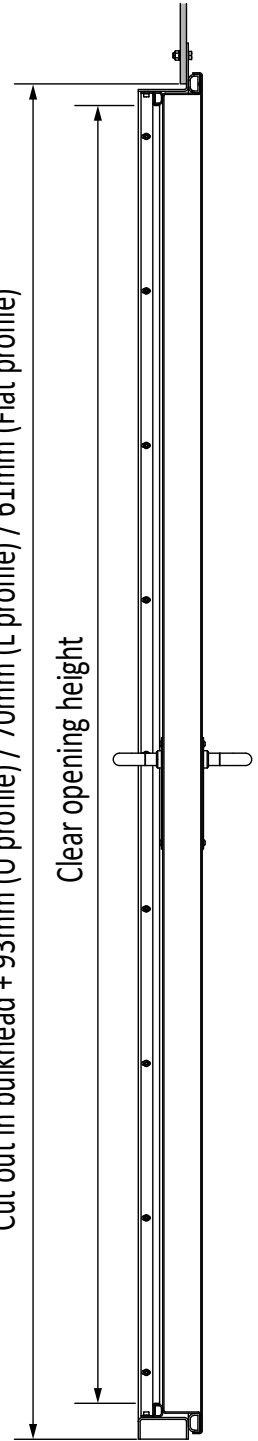
HB-5000 A-60

TECHNICAL DETAILS

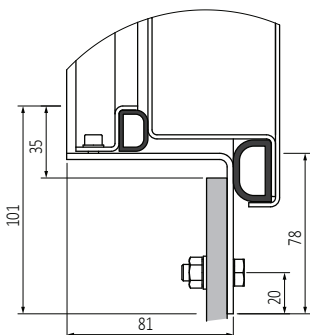


Cut out in bulkhead + 93mm (U profile) / 70mm (L profile) / 61mm (Flat profile)

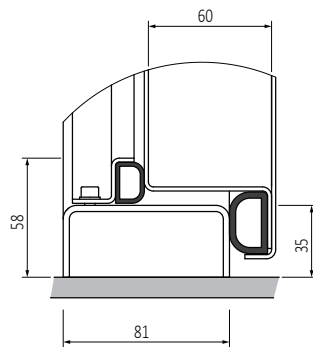
Clear opening height



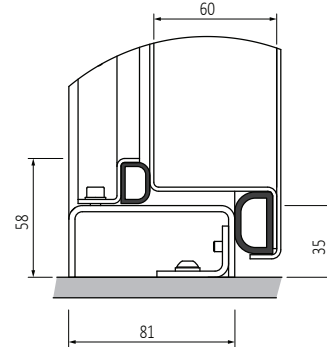
Standard thresholds/sills
L-profile



U-profile



Special thresholds/sills
Removable



Flat with gasket
Less water resistant)

